



Assembly Instruction

44811FSC Wall Activity Panel - Counting & Colour Sorting

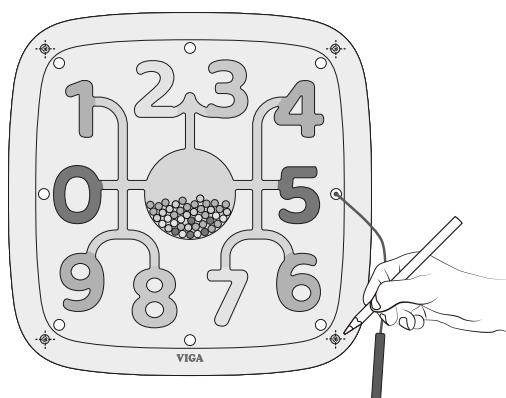
Positioning the Wall Toy

Choose a clear and flat area of wall free of cables and pipework.

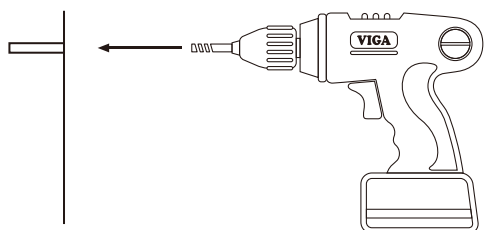
Care & Maintenance

Inspect the wall game before each use, be aware of loose or missing parts and screws.

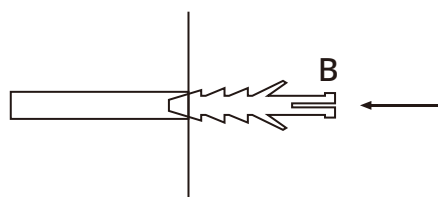
- 1 Mark mounting holes by placing the panel in position and use the pre - drilled holes in the panel to mark the drill locations on the wall.



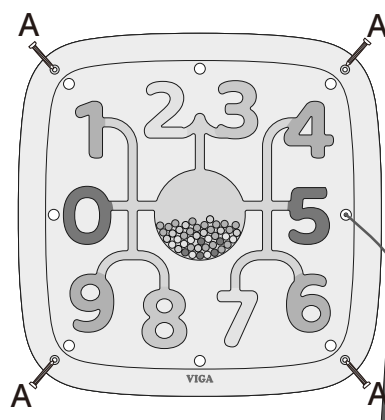
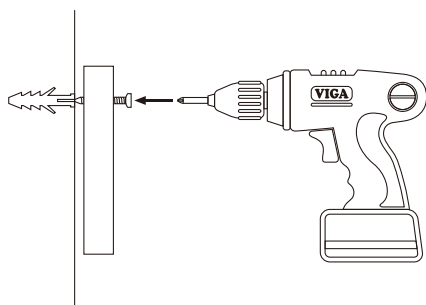
- 2 Drill the holes on the wall using an 8mm drill bit. Drill a hole 45mm in depth.



- 3 Insert the raw plugs into the holes.



- 4 Locate the panel into position on the wall with raw plug ends visible through the holes in the panel. Fasten all screws on the panel ensuring all screws are secure and do not protrude the surface.



Included Hardware

A  x4

B  x4



WARNING:

www.vigatoys.com

This toy is required to be assembled by adults only. It may contain potential choking hazards, small parts or sharp points before assembly. Screws may rust over time, please inspect all the screws periodically. Incorrect assembly may cause injury to children. Not suitable for children under 18 months. Long cord/Long chain. Strangulation hazard.